



Chardon Shear Bolt Connector



APPLICATION

Chardon Shear Bolt Connectors are designed for use in low and medium voltage connection. The tool required is a standard ratchet wrench with a hexagonal socket; no crimping tool is needed in field operation.

The connector is manufactured from high conductivity aluminum for heavy duty utility

application. The cable entry opening is chamfered inside to provide easy insertion of cable. The shear bolts in the connector ensures the correct torque and optimal contact force and ensure a reliable current path.

ORDERING INFORMATION



DIMENSION INFORMATION OF "SBC-A SERIES"

CATALOG No.	Conductor Range (mm ²)	Dimensions (mm)					AF Head Size	Bolt Quantity
		φD	L	B	H	φC		
SBC-A-25-50-12/1	25 • 50	24	64.5	24	9	13	13	1
SBC-A-25-50-16/1						17		
SBC-A-70-95-12/1	70 • 95	24	64.5	24	9	13	13	1
SBC-A-70-95-16/1						17		
SBC-A-95-150-12/2	95 • 150	28	85.0	28	10	13	17	2
SBC-A-95-150-16/2						17		
SBC-A-150-240-12/2	150 • 240	33	97.5	33	13	13	19	2
SBC-A-150-240-16/2						17		
SBC-A-240-300-12/2	240 • 300	38	116.5	38	14	13	22	2
SBC-A-240-300-16/2						17		
SBC-A-300-400-12/3	300 • 400	42	120	42	16	13	22	3
SBC-A-300-400-16/3						17		

ORDERING INFORMATION



DIMENSION INFORMATION OF "SBC-B SERIES"

CATALOG No.	Conductor Range (mm ²)	Dimensions (mm)		AF Head Size	Bolt Quantity
		φD	L		
SBC-B-25-50/1	25 • 50	24	71	13	1
SBC-B-70-95/1	70 • 95	24	71	13	1
SBC-B-70-120/2	70 • 120	33	103	19	2
SBC-B-150-240/2	150 • 240	33	103	19	2
SBC-B-300-400/3	300 • 400	42	126	22	3
SBC-B-500/3	500	48	142	24	3
SBC-B-500-630/3	500 • 630	52	142	24	3



DIMENSION INFORMATION OF "SBSC"

CATALOG No.	Conductor Range (mm ²)	Dimensions (mm)				AF Head Size	Bolt Quantity
		L	L1	D	d		
SBSC-25-50/2/C	25 • 50	70	33.5	24	9	13	2
SBSC-70-95/2/C	70 • 95	70	33.5	24	13.3	13	2
SBSC-95-150/4/C	95 • 120	106	51.5	28	16	17	4
SBSC-150-240/4/C	150 • 240	125	61	33	20	19	4
SBSC-240-300/4/C	240 • 300	140	68	38	24	22	4
SBSC-300-400/6/C	300 • 400	170	83	42	26	22	6
SBSC-500-630/6/C	500 • 630	200	97	52	33	24	6



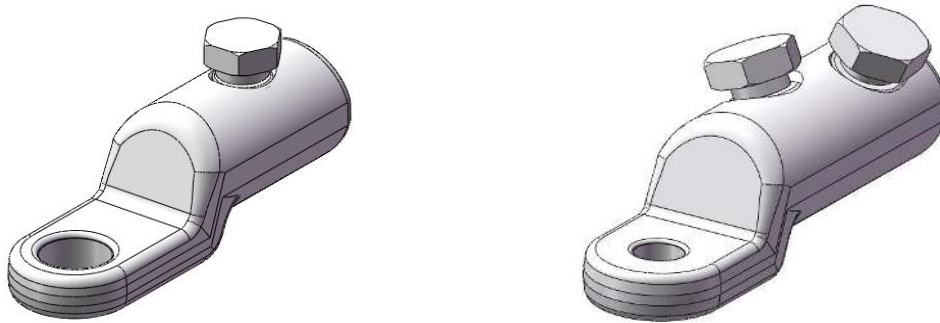
**CLIQUE E FAÇA
SEU ORÇAMENTO !**





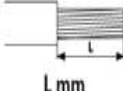


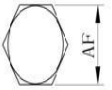


CHARDON

WWW.MEDIATENSAO.COM.BR **GROUP**

Shear Bolt Connector-Installation Instruction

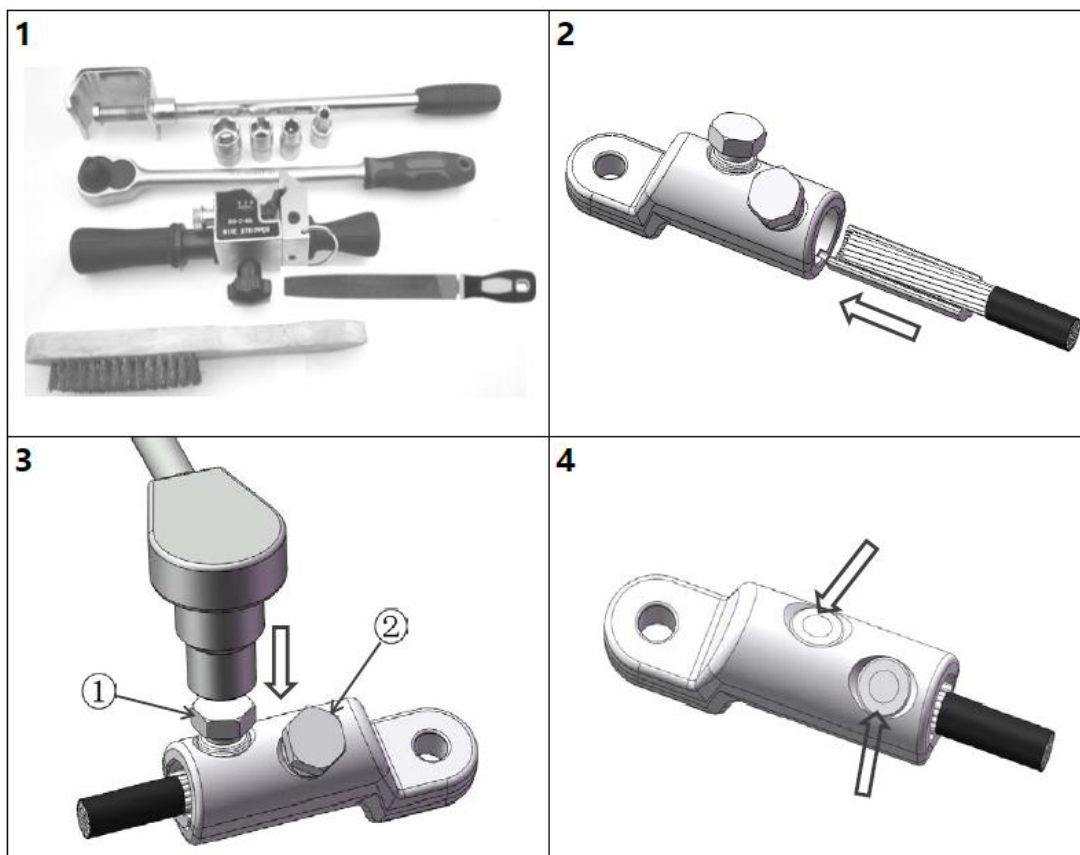


Product Range (Model)	 mm ² Al Conductor Round	 mm ² Al Conductor Sector	 mm ² Cu Conductor Round	 mm ² Cu Conductor Sector	 L mm	 Mount Insert	 Remove Insret	 A/F mm Bolt Across Flat
AUL25-95	25-95	25-70	25-95	25-70	35	25-50	70-95	13
AUL35-150	35-150	35-150	35-150	35-150	41	35-70	95-150	17
AUL70-240	70-240	70-185	70-240	70-185	64	70-120	150-240	19
AUL120-300	120-300	120-240	120-300	120-240	71	120-185	240-300	22
AUL185-400	185-400	185-300	185-400	185-300	81	185-240	300-400	22
AUL300-400	---	---	---	---	---	---	---	---
AUL400-630	---	---	---	---	---	---	---	---

Note: Different conductor material should be tested according to IEC 61238-1 given parameters.

Shear Bolt Connector-Installation Instruction

Installation Procedures



Installation Steps:

1. Select the matching shear bolt connector and installation tools according to the type and size of Conductor as shown on the table (see photo 1);
2. Strip conductor insulation according to the specified length;
3. Remove the oxide layer on the conductor surface with a brush. Then apply contact grease provided in the shear bolt connector and insert the conductor into shear bolt connector immediately (see photo 2);
4. Hand-tighten all bolts to fix the conductor at the center of the shear bolt connector;
5. Use a torque wrench to tighten the bolt slowly until the shear point breaks away. Tighten the bolts in the sequence of 1 and 2 and 3 as shown in photo 3 (Tighten bolts out-side-in);
6. Once the bolt shears off, use a file to even out all the sharp edges (see photo 4).

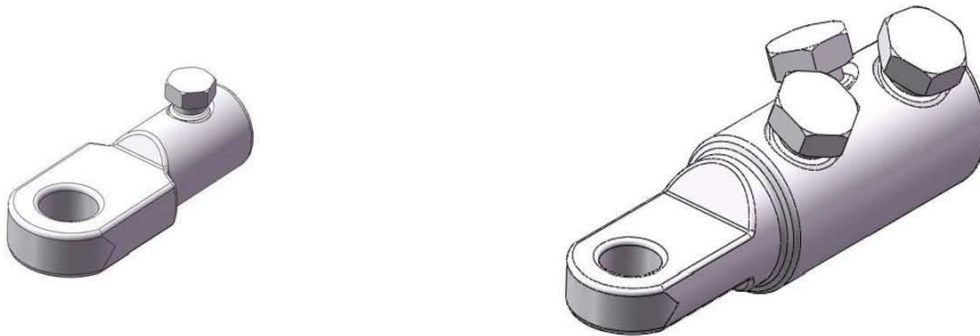
In as much as CHARDON GROUP, Inc. has no control over the use which others may put the material, it does not guarantee that the same results as those described herein will be obtained. Each user of the material should make his own tests to determine the material's suitability for his own particular use. Statements concerning possible uses of the materials described herein are not to be construed as constituting a license under any CHARDON GROUP, inc. patent covering such use or as recommendations for use of such materials in the infringement of any patent.

FOR FURTHER INFORMATION WRITE TO



sales@chardongroup.com

Shear Bolt Connector-Installation Instruction

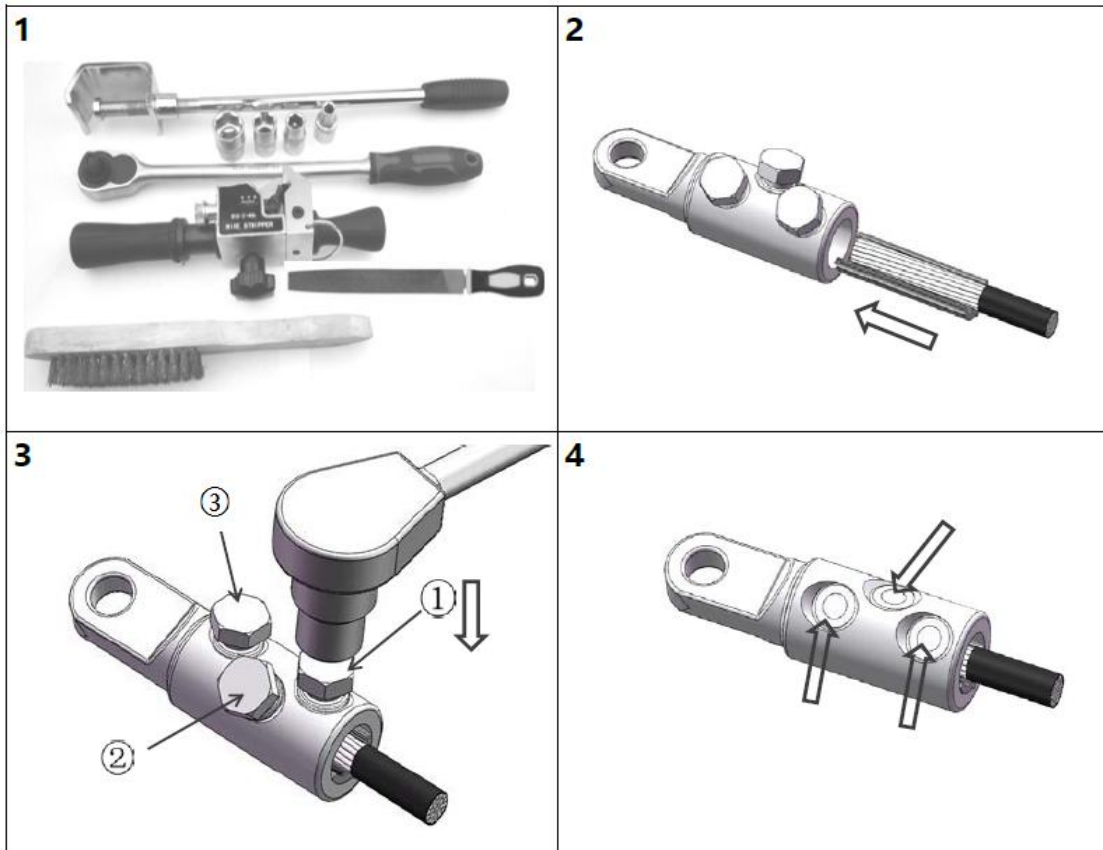


Product Range (Model)	Al Conductor Round	Al Conductor Sector	Cu Conductor Round	Cu Conductor Sector	Stripping Length	Mount Insert	Remove Insret	Bolt Across Flat
AULZ25-95/1	25-95	25-70	25-95	25-70	35	25-50	70-95	13
AULZ70-240/2	70-240	70-185	70-240	70-185	64	70-120	150-240	19
AULZ185-400/3	185-400	185-300	185-400	185-300	81	185-240	300-400	22

Note: Different conductor material should be tested according to IEC 61238-1 given parameters.

Shear Bolt Connector -Installation Instruction

Installation Procedures



Installation Steps:

1. Select the matching shear bolt connector and installation tools according to the type and size of Conductor as shown on the table(see photo 1);
2. Strip conductor insulation according to the specified length;
3. Remove the oxide layer on the conductor surface with a brush. Then apply contact grease provided in shear bolt connector and insert the conductor into shear bolt connector immediately(see photo 2);
4. Hand-tighten all bolts to fix the conductor at the center of the shear bolt connector;
5. Use a torque wrench to tighten the bolt slowly until the shear point breaks away. Tighten the bolts in. The sequence of 1 and 2 and 3 as shown in photo 3(Tighten bolts out-side-in);
6. Once the bolt shears off, use a file to even out all the sharp edges(see photo 4).

In as much as CHARDON GROUP, Inc. has no control over the use which others may put the material, it does not guarantee that the same results as those described herein will be obtained, Each user of the material should make his own tests to determine the material's suitability for his own particular use. Statements concerning possible uses of the materials described herein are not to be construed as constituting a license under any CHARDON GROUP, inc. patent covering such use or as recommendations for use of such materials in the infringement of any patent.

FOR FURTHER INFORMATION WRITE TO



sales@chardongroup.com