



**CLIQUE E FAÇA
SEU ORÇAMENTO !**



35-LFTI
www.mediatusao.com.br

CHARDON
GROUP

200A, 35 kV Class Loadbreak Rotatable Feed Thru Insert



www.chardongroup.com

APPLICATION

The Chardon Loadbreak Feed Thru Insert threads onto a standard 200A bushing well and provides dual loadbreak bushing interfaces. It can convert radial-feed transformers to feed thru transformers and add in-line arrester protection if needed. The torque limit ratchet feature prevents the bushing well stud from breaking during installation. The ratchet feature allows users to rotate the feed thru insert for 360° to orient the feed thru insert in the desired position. The Chardon Loadbreak Feed Thru Insert meets all the requirements of IEEE

Standard 386, and is fully interchangeable with competitor's products and mating products that also meet IEEE Standard 386. When installed with mating components, the Feed Thru Insert provides a fully shielded and fully submersible connection for loadbreak applications.

PRODUCTION TESTS

Tests conducted in accordance with IEEE/ANSI Standard 386.

- Minimum Corona Voltage Level – 26 kV
- AC 1 Minute Withstand – 50 kV

Tests conducted in accordance with Chardon manufacturing process requirements:

- Physical Inspection
- Periodic Dissection
- Periodic X-ray Analysis

VOLTAGE RATINGS

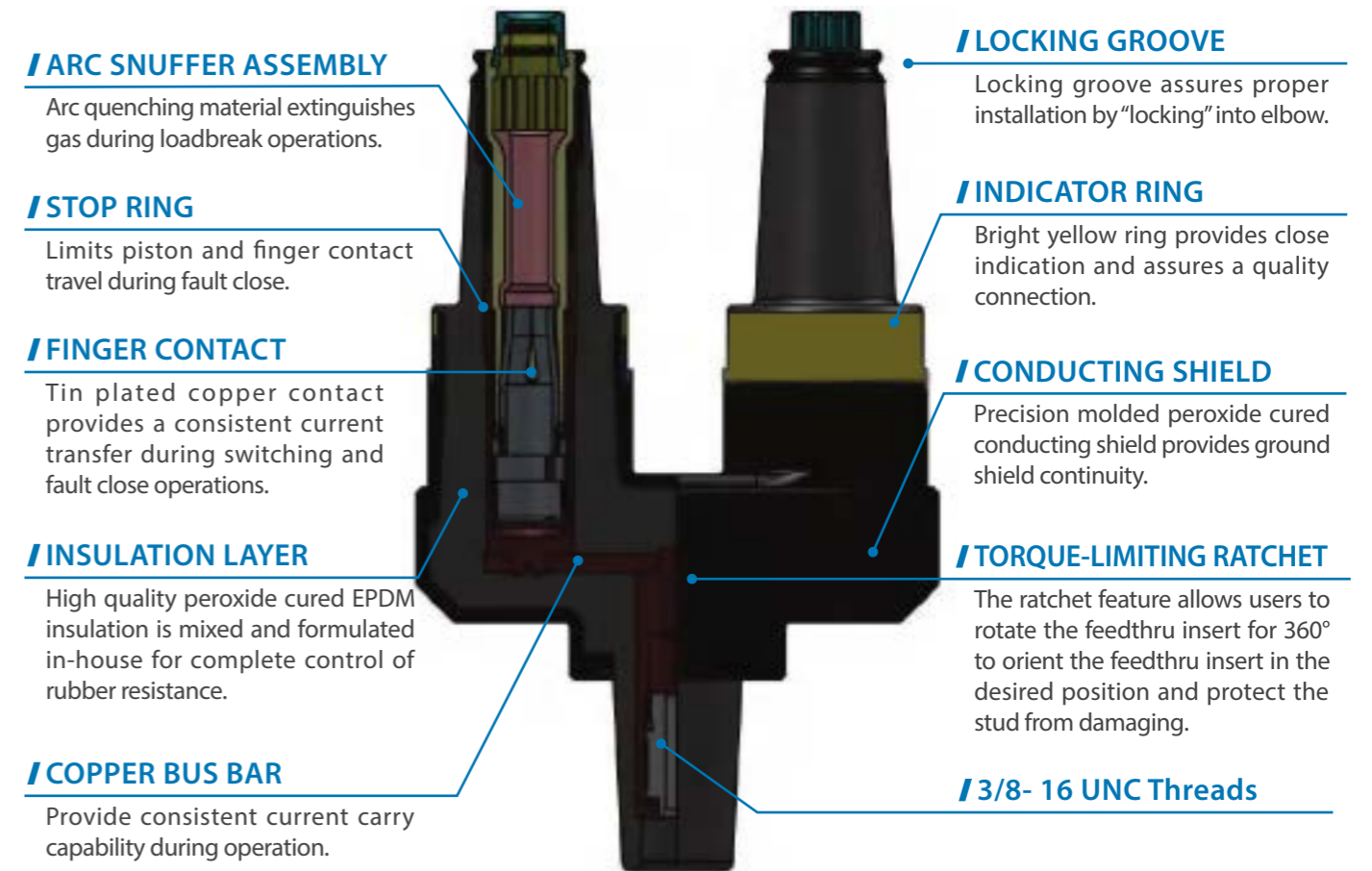
Voltage Class	35 kV
Max. Rating Phase to Phase	36.6 kV
Max. Rating Phase to Ground	21.1 kV
AC 1 Minute Withstand	50 kV
DC 15 Minute Withstand	103 kV
BIL and Full Wave Crest	150 kV
Minimum Corona Voltage Level	26 kV

• 35-LFTI200-060223-REV02

CURRENT RATINGS

Description	Test Parameters
Continuous	200 amps rms
Switching	10 operations at 200 amps rms at 36.6 kV
Fault Close	10,000 amps rms symmetrical at 36.6 kV for 0.17 s after 10 consecutive successful switching operations
Short Time	• 10,000 amps rms symmetrical for 0.17 s • 3,500 amps rms symmetrical for 3.0 s

DETAILED COMPOSITION OF THE CHARDON LOADBREAK FEED THRU INSERT



ORDERING INFORMATION

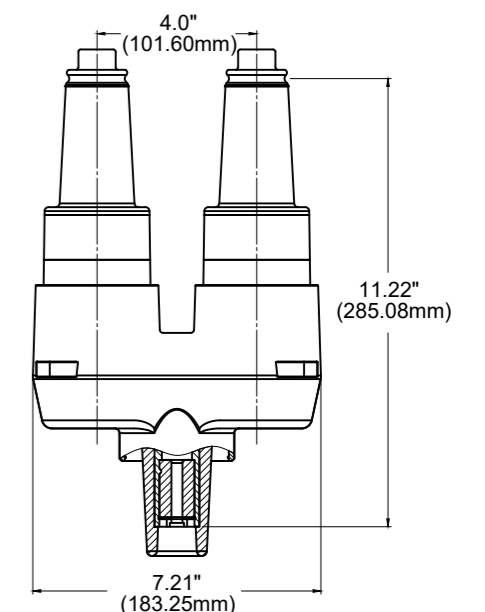
35kV,200A Loadbreak Feed Thru Insert 35-LFTI

Each kit contains:

- Rotatable Feed Thru Insert
- Shipping Cap (not for energized operation)
- Stainless Steel Bail Assembly
- Silicone Lubricant
- Installation Instruction Sheet

Replacement Part

Bail Assembly 35-BAIL-LFTI





CHARDON TAIWAN CORPORATION

No.37 Min-Chie Road, Tung Lo
Industrial Park, Miao Li, Taiwan 366

Tel : +886-37-984385

Fax : +886-37-984770

www.chardongroup.com • info@chardongroup.com